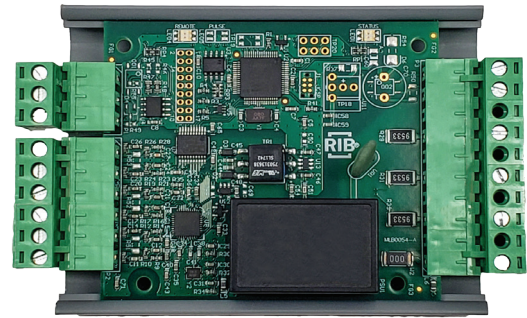
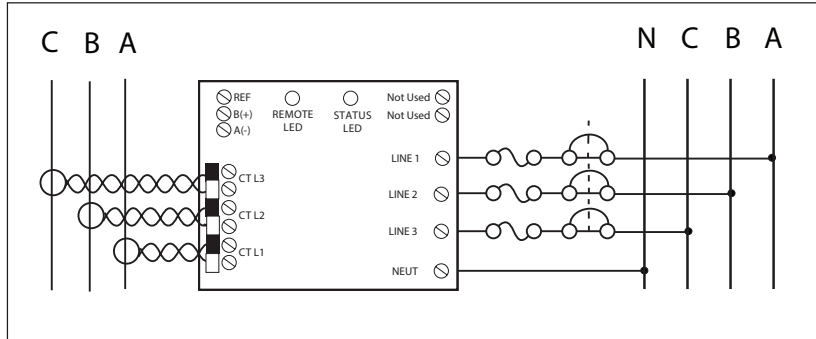


POWER METER - BACNET[®] COMPATIBLE

RIBPM413-BC

Power Meter, 120-277 Vac, 3-Phase, 2.75" Track Mount



SPECIFICATIONS

- *Power Input Rating:** Powered from Line 1 to Neutral, 120-277 Vac, < 2 VA
- Headers:** Pluggable screw terminal, accepts up to 12 AWG stranded copper wire
- Frequency:** 50/60 Hz
- Operating Temperature:** -4 to 158 °F
- Storage Temperature:** -40 to 185 °F
- Humidity:** 5 to 95% (noncondensing)
- Altitude:** Up to 2,000 m
- Remote LED:** Green = Rx
Amber = Tx
- Status LED:** See Bulletin B2646
- Dimensions:** 2.75" H x 4.5" W x 0.85" D with headers installed
- Housing Detail:** See **Housing H** in housing guide for dimensions
 - Origin:** Made of US and non-US parts
- Track Mount:** MT212-4 mounting track provided
- Approvals:** CE, UL Listed, UL 61010-1 and UL 61010-2-30, C-UL, RoHS, FCC Part 15 Class B
- Network Media:** 18-22 AWG, 2-Core, shielded twisted pair
- Network Termination:** For End of Line (EOL) device, use 120 Ω Resistor. See Bulletin B2646 for details
- Polarity:** Network is polarity sensitive
- Baud Rate:** 9600, 19200, 38400, 57600, 76800, 115200; set via BACnet[®]

Metered Circuit:

- Voltage Range:** 120-277 Vac L-N (CAT III); 1P 2/3W, 3P 4W
- Voltage Overload:** 1.1 x Voltage Range
- Voltage Burden:** < 0.1 VA @ 277 Vac
- Frequency Range:** 45 - 65 Hz
- Current Transformer:** 333 mV Output
- Current Overload:** 1.2 x CT Output
- Power Overload:** 1.2 x Voltage Range x CT Output

Measurement Accuracy:

- Voltage:** 0.5%, < 0.2% typical from 80-120%
- Current:** 0.5%, < 0.2% typical from 10-120%
- Power:** 0.5%, < 0.2 % typical from 10-120%
- Power Factor:** 0.5% between 0.5 and 1.0

BACnet[®] Details:

- Device ID Default: 277050
- MAC Address Default: 50
- Baud Rate Default: 38400
- **CT-Ratings (AV-8005) must be updated with the current rating of the CTs used with the device.**
- See Bulletin B2646 for further details
- PIC Statement available on website.
https://www.functionaldevices.com/downloads/pics/BACnet-PM413_PICS.pdf

Notes:

- See Bulletin B2646 for installation instructions
- Bi-directional for NET metering
- *** Neutral connection required for Input Power**